



Key Benefits

- ✓ Cost effective & compact design with built-in high gain LTE patch antenna
- ✓ Compliant to 3GPP LTE R10 specifications
- ✓ Advanced 2x2 MIMO support, CA and optional UL QAM64 support
- ✓ IPv4 & IPv6, Multiple PDN Interface Support
- ✓ Router, bridge and by-pass networking
- ✓ VPN & full L2/L3 GRE Tunneling clients support
- ✓ FTP, HTTP, HTTPS and TR-069 management support
- ✓ SIM card authentication and virtual SIM support
- ✓ Standard or Passive 24V PoE support

TECHNICAL FEATURES

JT4300P design is based on the standard implementation of LTE release 10 specification. It is able to meet the most demanding requirements of large service providers with high throughput and availability. JT4300P is a CAT7 CPE and supports advance features such as 2x2 MIMO, Carrier Aggregation, QAM64 modulation on the uplink.

With high gain directional patch antenna, JT4300P enables a longer reception range from the base station. This yields more efficient use of the network with a larger cell reach, guaranteed carrier class service, and customer service probability. Advanced Orthogonal Frequency Division Multiplexing (OFDM) modulation enhances performance in non-line-of-sight (NLOS) conditions to ensure immunity to interference and multi-path conflicts typical of deployments in densely populated urban areas. Moreover, sophisticated QoS capabilities ensure true end-to-end QoS and support high quality data services.

JATONTEC 4300P is a cost effective TD-LTE CAT7 outdoor CPE specially designed to meet the most challenging demands of today's high speed wireless backhaul and fixed wireless access deployments by the 4G service operators. The unit can support multiple TDD band operations. Multiple operator network support can also be provisioned on the unit to allow the deployment across entire country with different operators.

JT4300P provides Gigabit PoE connection to connect user terminal device such as router or Wi-Fi AP products. The unit PoE interface can also work with standard PoE switches or router products. The product comes with PoE power adapter and mounting bracket accessories for quick self-installation.

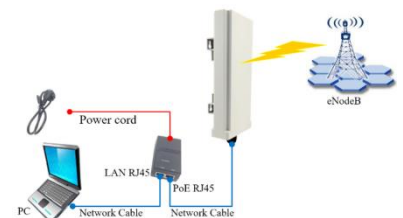
RELIABLE PERFORMANCE

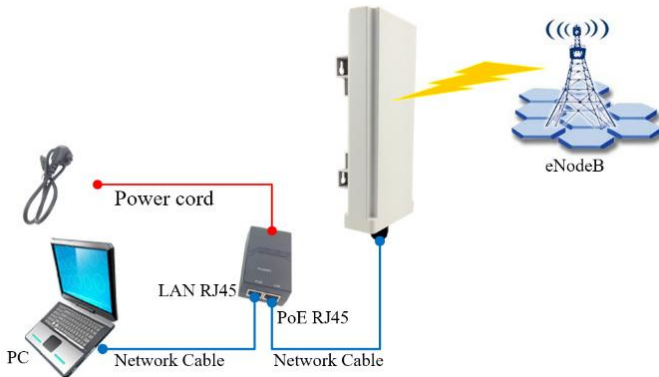
JT4300P is designed to meet the stringent operation environment for outdoor CPE devices. The device can safely operate in a wide temperature ranging from -40 to +55 degree and meets industrial IP67 water and dust proof standard requirements. The device MTBF time is expected to be above 80,000 hours. Depending on the network configuration and DL/UL split ratio configuration, the unit can provide up to 300Mbps max throughput over the air. The typical coverage should be more than 15km with reasonable good throughput performance.

EASY USAGE & MANAGEMENT

JT4300P is a user-friendly LTE CPE that is easy to install and maintain. The unit is fully integrated and comes with all the necessary device drivers pre-loaded. Subscribers just connect the device to their computer or home switch/router and the device is ready to offer an experience of surfing over Internet. The LEDs on the JT4300P have also been designed for user convenience, and offer a clear sign of what the device is doing. The IP addresses can be dynamically obtained via DHCP.

JT4300P offers rich management features which facilitate the task of carrier. It supports local management access, Telnet, Http, Https and standard TR069 remote OTA management including device configuration, monitoring, and upgrades management.





LTE Radio Interface

- Radio Access : 3GPP E-UTLA Release 10,CAT7
- Operation Mode : 4Rx, 2Tx, DL 2*2 MIMO
DL & UL CA (2CC)
DL MIMO, UL QAM64
- Frequency Band : B7, B38, B40, B41, B42/43
B55 (3.3-3.4GHz)
- Output Power : 23 dBm
- Antenna Gain
11 ± 1 dBi (B7, B38, B40, B41)
13 ± 1 dBi (B42, B43, B55)

User Interfaces

- Data Interface : 1 RJ45
(10/100/1000Mbps, 24V PoE)
- LED Indicator : SYS, SIM, ETH, RF(4)
- SIM Support : SIM Card Slot (2FF)

Technical Specifications

Networking Configuration

- Bridge and Router Operation Support
- Built-in DHCP Server for LAN Devices
- IPv4, IPv6 DS-Lite Support
- Multiple PDN interface support
- NTP Service Support

Data Networking Features

- VPN Pass-through support(PPTP, L2TPV3 & IPsec)
- Built-in L2TPV3 & GRE Client Support
- Firewall & Access Control
- DMZ and Virtual Server Support
- IP and Port Filtering Support
- Local and Remote Management Restriction
- Application Firewall Support
- LAN Device Access Control

Device Management

- CLI, Telnet and WEB Management Interfaces
- Standard TR-069 Management
- Device Factory Default Setting
- Dual Image Bank for Safe Upgrade

PHYSICAL & ENVIRONMENTAL

Power DC : 24V/0.75ADC (Passive PoE)

Power Consumption: < 12W

Weight : < 1.5Kg

Dimensions : 300mm x 120 mm x 75mm

Environment : Operating Temperature, -40°C~55°C

Storage Temperature, -30°C~85°C

Humidity, 90% max Non-condensing

Industry Standards

ITU : 3GPP Release 10

IEEE : IEEE 802.3 10Base Ethernet

IEEE 802.3u Fast Ethernet

OTHERS: Water Resistance IP67

Safety FCC or CE